



700 Pine Ridge Road Golden CO 80403 Tel (303) 278 8287 1(888) 4X4 SLEE Fax (303) 278 7182

Slee Off-Road – [Redarc Controller Bracket] (SOK0080) – Installation instruction 1



Thank you for your purchase from Slee Off-Road! If you should you have any questions or concerns, please do not hesitate to contact us immediately at 1 888 4X4 SLEE or at sales@sleeoffroad.com.

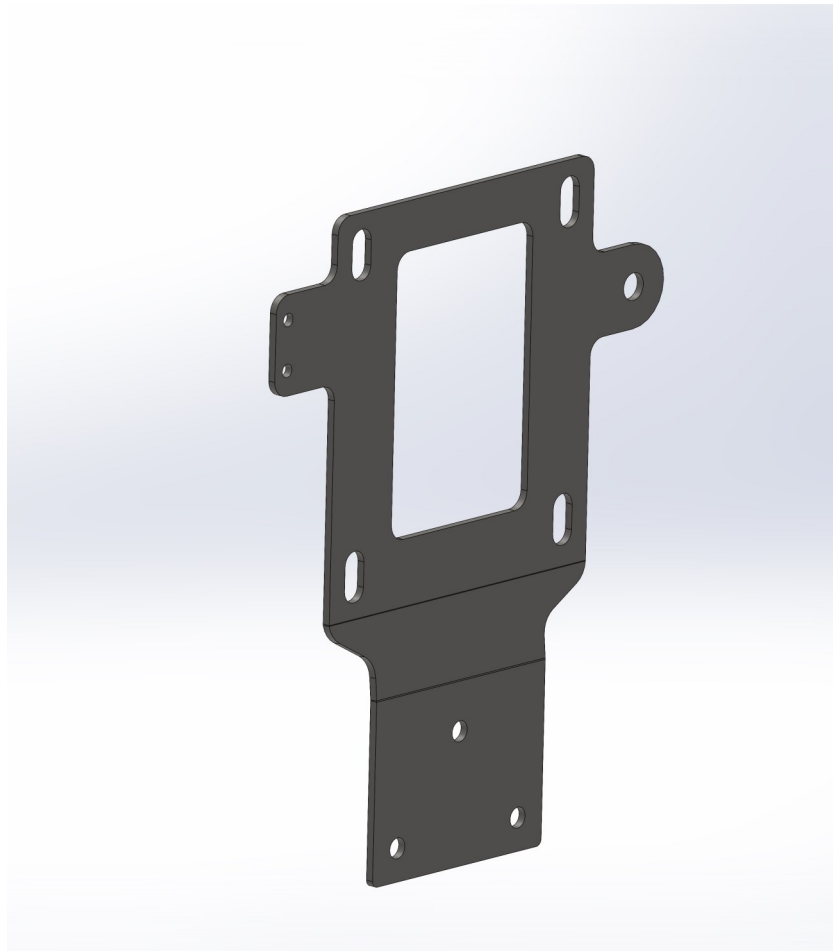
Slee Off-Road strives to provide comprehensive installation instructions. However, in some circumstances minor inconsistencies may be encountered with instructions and or provided parts. If you encounter such an inconsistency, please notify us, as your input is important.

Slee Off-Road guarantees all parts free from defects for one year from the original purchase date. Slee Off-Road and Slee & Co under no circumstances will be held liable for any damages or injuries to the users of this product(s) and or their equipment as a result of the use of this information or parts obtained from Slee Off Road.

Slee Off-Road – [Redarc Controller Bracket] (SOK0080) – Installation instruction 2

QTY	Parts Included
7	1/4"-20 x 5/8" Button Head Bolt
7	1/4" Fender Washer
7	1/4"-20 Nylon-Insert Locknut
1	Zip Tie (Short)

Tools Required
Metric Tools
Wire Cutters



1 Organize the work area. Make sure all parts for the kit are present.



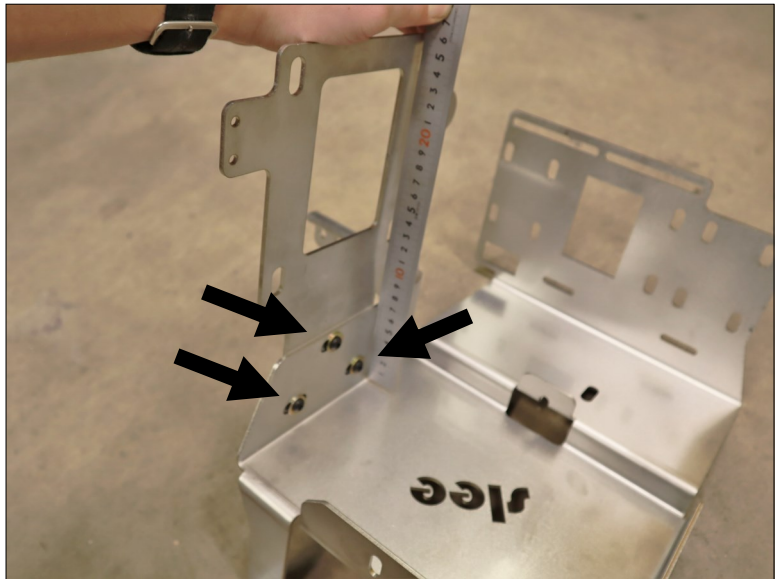
Verify kit contents. (Step 1)

2 Bolt the bracket to the battery tray. Note the bracket should be spaced away from where the battery will be placed, this provides hardware clearance.

Note: 100 series tray shown. 200 series installation similar.

Hardware:

- (3) 1/4" - 5/8" Button Head Bolt
- (3) 1/4" Fender Washer
- (3) 1/4" Nylon-Insert Locknut



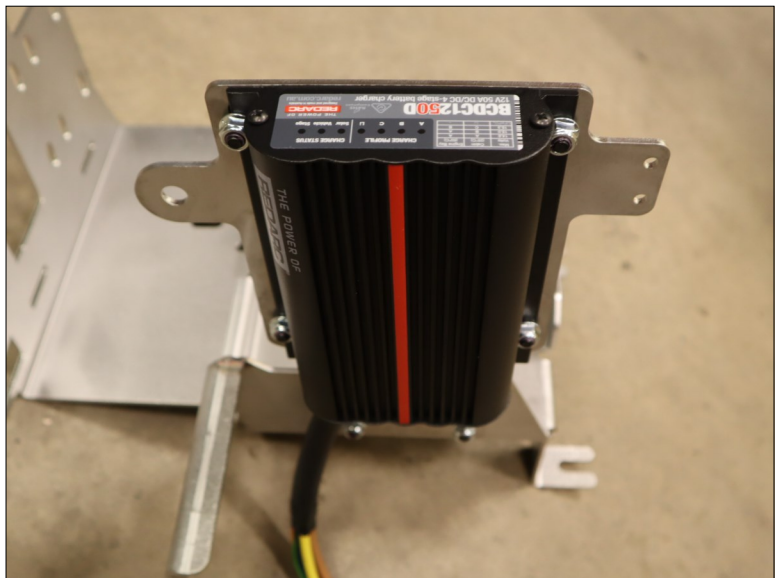
Install the bracket, spaced off from the battery tray. (Step 2)

3 Install the Redarc Controller flush with the top of the bracket.

Note: 100 series tray shown. 200 series installation similar.

Hardware:

- (4) 1/4" - 5/8" Button Head Bolt
- (4) 1/4" Fender Washer
- (4) 1/4" Nylon-Insert Locknut



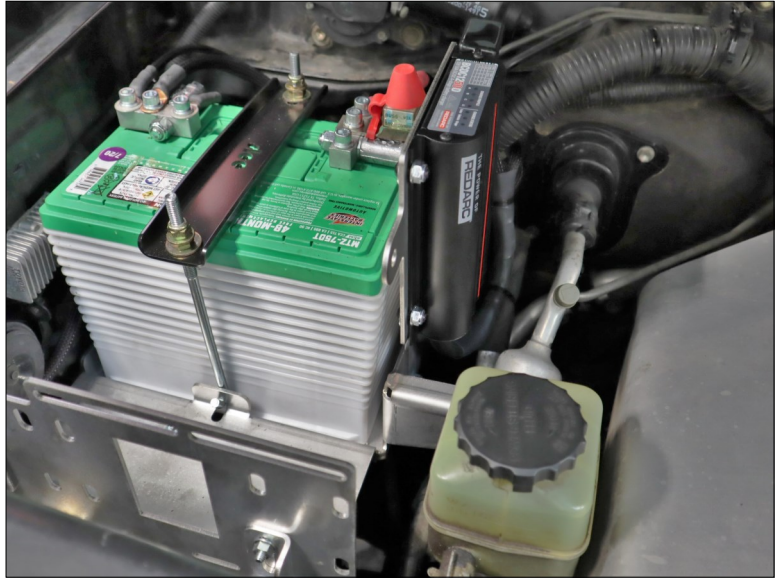
Mount the controller. (Step 3)

Slee Off-Road – [Redarc Controller Bracket] (SOK0080) – Installation instruction 4

4 Proceed to install the battery tray or other bracket according to the instructions included with the product.

The zip tie may be used to help with wire management.

Photos of completed installations are included for reference.



100 Series installation shown.



200 Series installation shown.