



700 Pine Ridge Road Golden CO 80403 Tel (303) 278 8287 1(888) 4X4 SLEE Fax (303) 278 7182

Slee Off-Road – [AHC Skidplates for LX570] (SOK0081) – Installation instruction 1



Thank you for your purchase from Slee Off-Road! If you should you have any questions or concerns, please do not hesitate to contact us immediately at 1 888 4X4 SLEE or at sales@sleeoffroad.com.

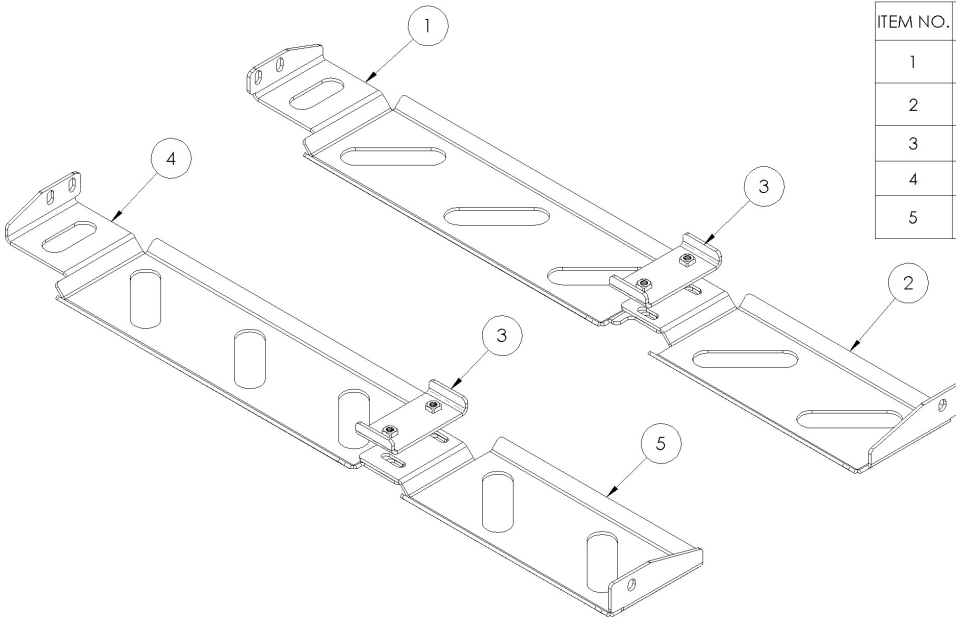
Slee Off-Road strives to provide comprehensive installation instructions. However, in some circumstances minor inconsistencies may be encountered with instructions and or provided parts. If you encounter such an inconsistency, please notify us, as your input is important.

Slee Off-Road guarantees all parts free from defects for one year from the original purchase date. Slee Off-Road and Slee & Co under no circumstances will be held liable for any damages or injuries to the users of this product(s) and or their equipment as a result of the use of this information or parts obtained from Slee Off Road.

Slee Off-Road – [AHC Skidplates for LX570] (SOK0081) – Installation instruction 2

QTY	Parts Included
1	Driver Front Skid
1	Driver Rear Skid
1	Passenger Front Skid
1	Passenger Rear Skid
2	Nut Plate
4	3/8" x 1-1/4" Gr8 Bolt
4	3/8" USS Gr8 Washer
4	3/8" Gr8 Lock Washer

Tools Required
SAE Tools



ITEM NO.	Partname	DESCRIPTION	QTY.
1	DRIVER FRONT SKID	PROTECTS HYDRO RES	1
2	DRIVER REAR SKID	PROTECTS HYDRO RES	1
3	NUT PLATE	RETAINS BOLTS	2
4	PASS FRONT SKID	PROTECTS HYDRO RES	1
5	PASS REAR SKID	PROTECTS HYDRO RES	1

NOTE: The Slee SOK0081 requires the previous installation of the Slee SOK1329 SliderSteps for 2008+ 200 Series Land Cruisers and LX570. If the SOK1329 SliderSteps have not been installed on your vehicle, please do so before proceeding.

1 Organize the work area. Make sure all parts for the kit are present.

Securely park the vehicle and stabilize it.



Organize the work area. (Step 1)

2 Beginning with the passenger side, insert the nut plate into the middle slider leg. The nuts and bent flanges should be facing upward.



Insert the nut plate. (Step 2)

3 Remove the (2) bolts from the front side of the front support leg.



Remove the front leg hardware (Step 3)

4 Install the front slider plate by replacing the (2) bolts as shown. Support the rear of the slider plate with a block or with a temporary bolt into the nut plate.



Install the front slider plate. (Step 4)

5 Remove the (1) bolt and nut from the rearmost support leg.



Remove the rear bolt. (Step 5)

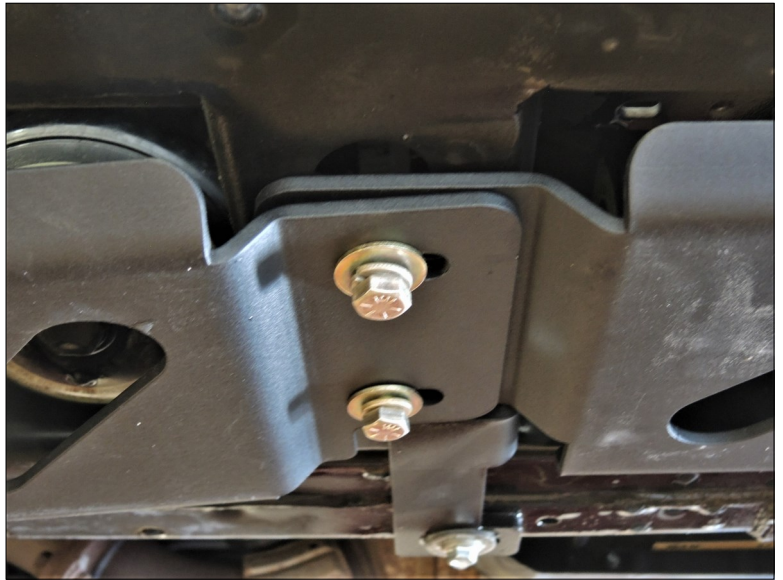
6 Install the rear slider plate by replacing the bolt and nut.



Install the rear slider plate. (Step 6)

7 Install the hardware to attach both slider plates to the nut plate. Note the overlap orientation with the front skid sitting underneath the rear skid.

Hint: Use a pick tool or screwdriver to help align the nut plate.



Secure the ends of the sliders into the nut plate. (Step 7)

8 Repeat the process for the driver side of the vehicle.

Finalize the installation by tightening all hardware.