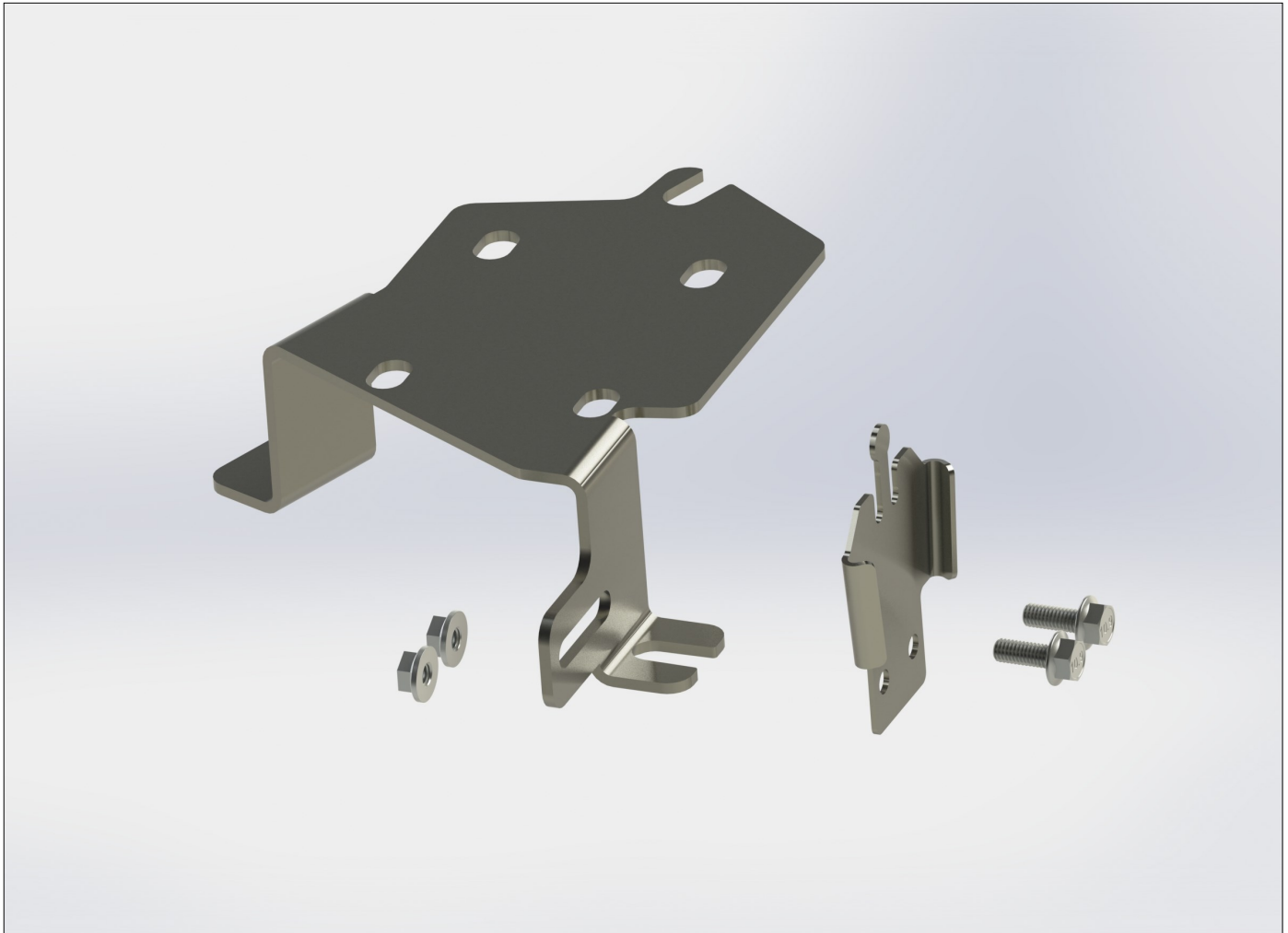




700 Pine Ridge Road Golden CO 80403 Tel (303) 278 8287 1(888) 4X4 SLEE Fax (303) 278 7182

Slee Off-Road – [2005+ TACOMA SINGLE COMP BRKT] (SOK0001) – Installation instruction 1



For [2005+ TACOMA]

Thank you for your purchase from Slee Off-Road! If you should you have any questions or concerns, please do not hesitate to contact us immediately at 1 888 4X4 SLEE or at sales@sleeoffroad.com.

Slee Off-Road strives to provide comprehensive installation instructions. However, in some circumstances minor inconsistencies may be encountered with instructions and or provided parts. If you encounter such an inconsistency, please notify us, as your input is important.

Slee Off-Road guarantees all parts free from defects for one year from the original purchase date. Slee Off-Road and Slee & Co under no circumstances will be held liable for any damages or injuries to the users of this product(s) and or their equipment as a result of the use of this information or parts obtained from Slee Off Road.

Slee Off-Road – [2005+ TACOMA SINGLE COMP BRKT] (SOK0001) – Installation instruction 2

QTY	Parts Included
1	Compressor Bracket
1	Power Steering Reservoir Bracket
5	M6 x 16 Flange Head Bolt
2	M6 Flange Nut
3	M6 Fender Washers

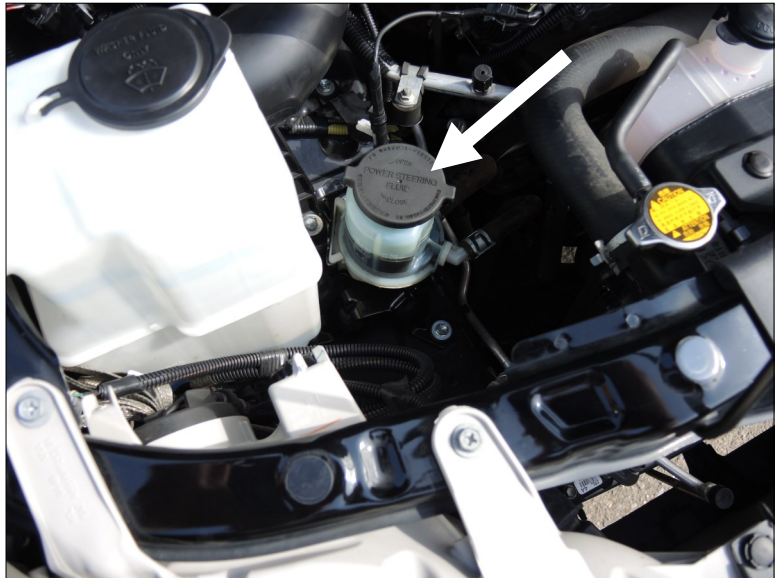
Tools Required
Metric Hand Tools
4mm Allen Wrench

NOTE: The Slee SOK0001 install instructions may show a black powder coated variant. The production units are bare stainless steel

01 Get organized and verify all parts are present.

Hint: Use ARB supplied instructions for wiring the ARB compressor.

Compatibility: ARB CKMA12 Compressor.



Remove PS reservoir from factory bracket (Step 2)

02 Locate the Power Steering (PS) reservoir.

Remove the reservoir by pulling straight up.

Move the Reservoir out of the way temporarily without spilling any fluid.



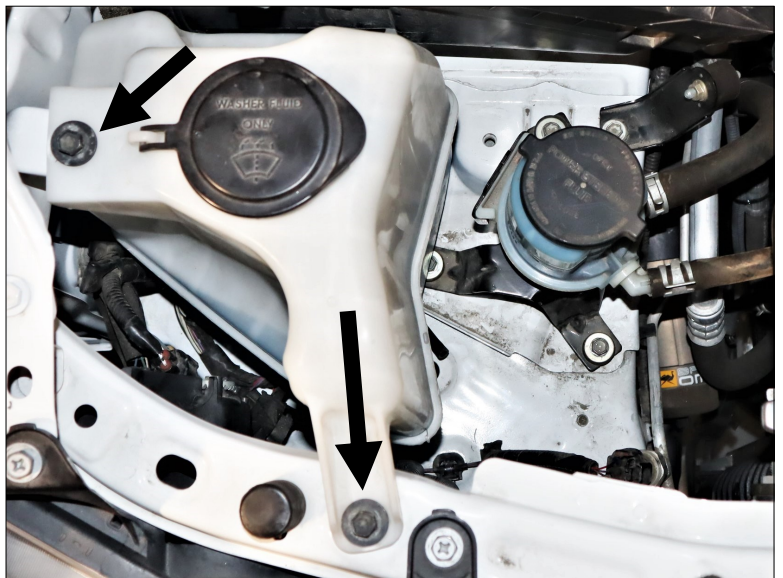
Remove washer reservoir 2005-2015 (Step 3A)

03 Remove the Windshield Washer Fluid Reservoir by removing the bolts at the fender. Pull up to completely remove. Disconnect plug and hose - set aside.

Hint; if reservoir has fluid plug immediately after hose is disconnected to prevent loss of fluid.

Photo A: 2005-2015 Tacoma

Photo B: 2015+ Tacoma



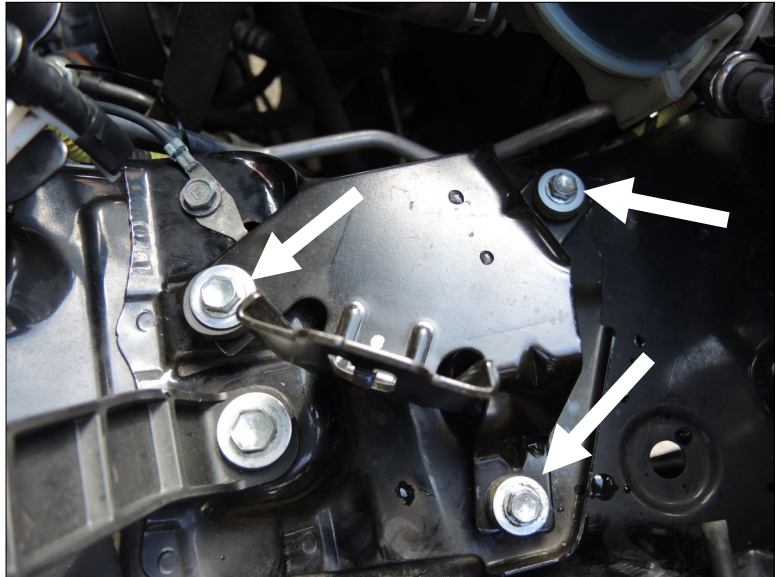
Remove washer reservoir 2015+ (Step 3B)

Step 3 continued...



Cont. Plug outlet if reservoir has fluid in it. (Step 3)

04 Remove the Power steering bracket.



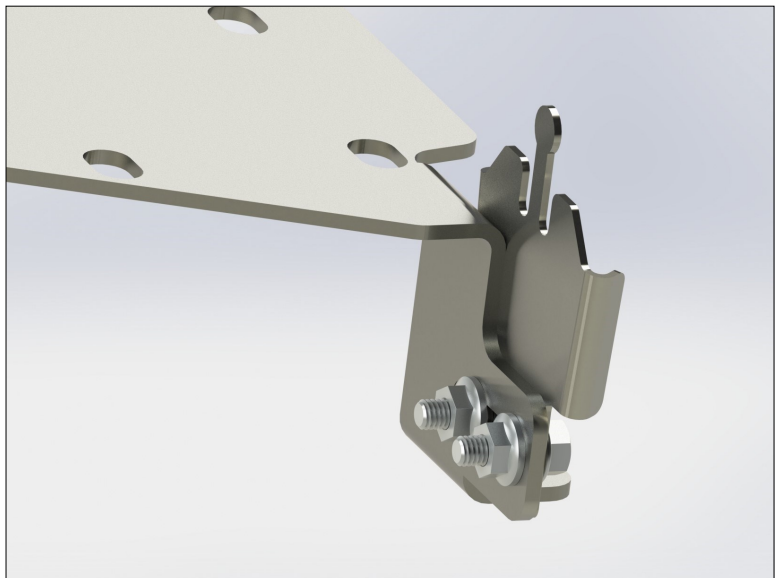
Remove factory PS bracket (Step 4)

05 Mount the Slee Power Steering Bracket to the Slee compressor bracket.

Hardware:

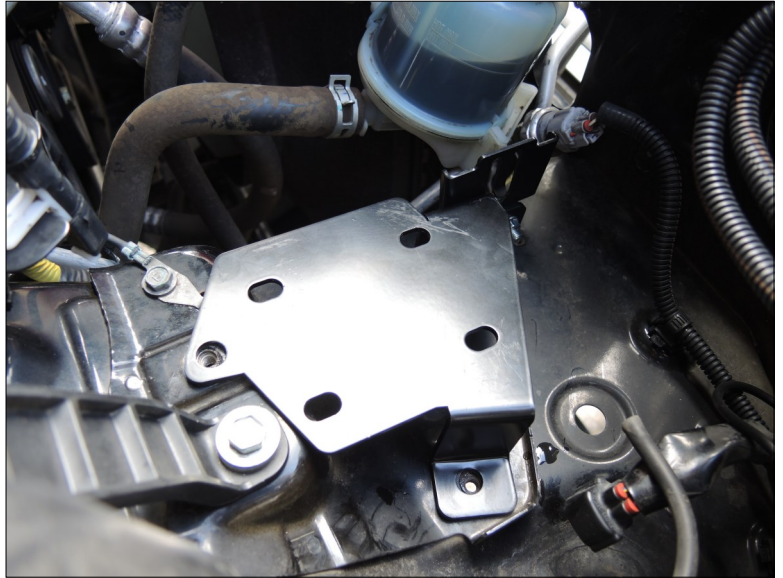
(2) - M6 x 16 Flange Head Bolt

(2) - M6 Nut



Mount Slee PS reservoir bracket to comp bracket (Step5)

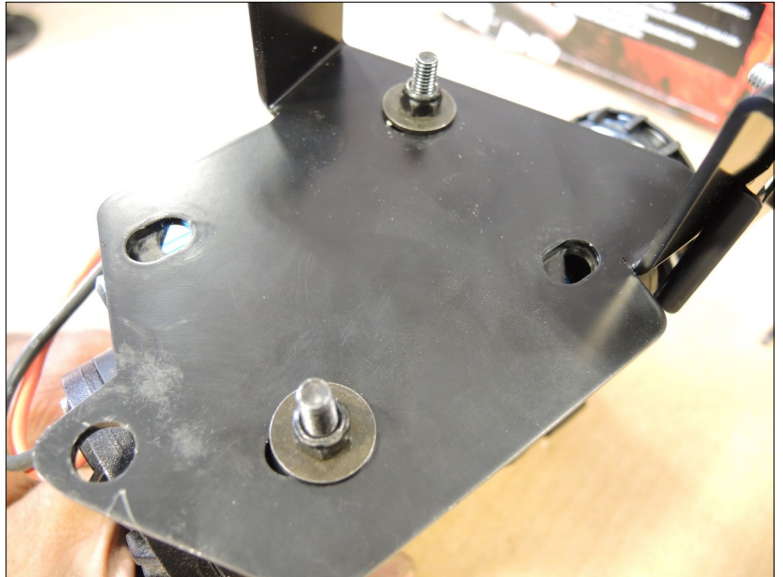
06 test fit the bracket to understand the correct orientation in the vehicle.



Test fit bracket (Step 6)

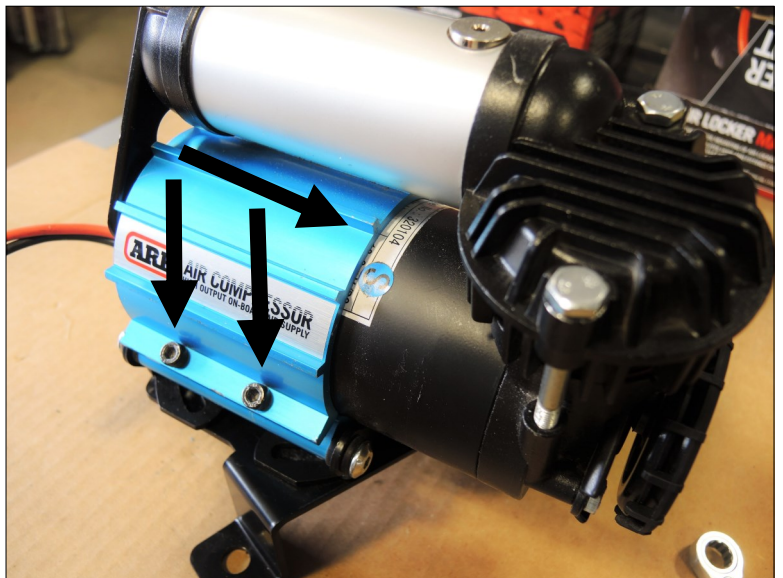
07 Mount the compressor to the bracket
Using the bolts, lock washers and washers (supplied with the ARB compressor) mount the compressor to the Slee Bracket.

Hardware: Provided with ARB compressor



Mount compressor to Slee bracket (Step 7)

08 Loosen the two socket head cap screws and slide the compressor forward as shown to access rear most mounting hole on bracket



Loosen screws and slide compressor forward (Step 8)

09 Mount the compressor and bracket with the supplied bolts. Use fender washers as needed on the bracket slots

Hint: compressor filter must face towards the front of the vehicle.

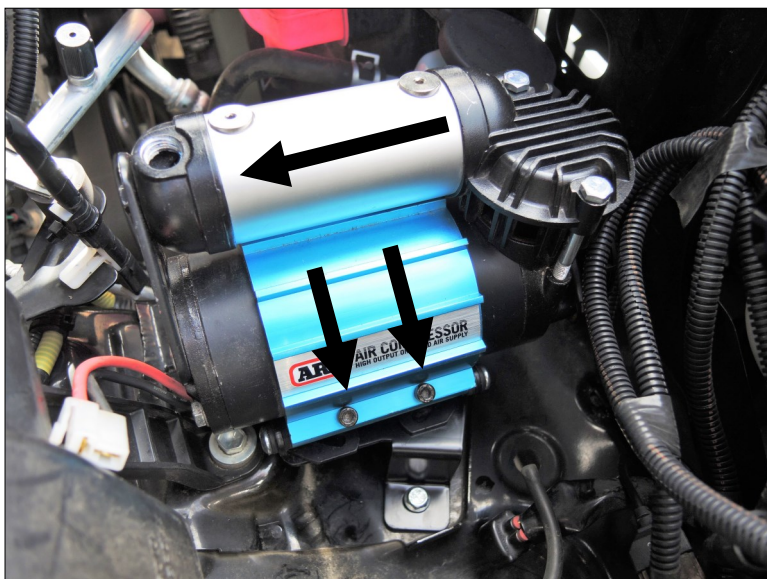
Hardware:

- (3) - M6 x 16 Flange Head Bolt
- (3) - M6 Fender washers



Mount compressor to fender (Step 9)

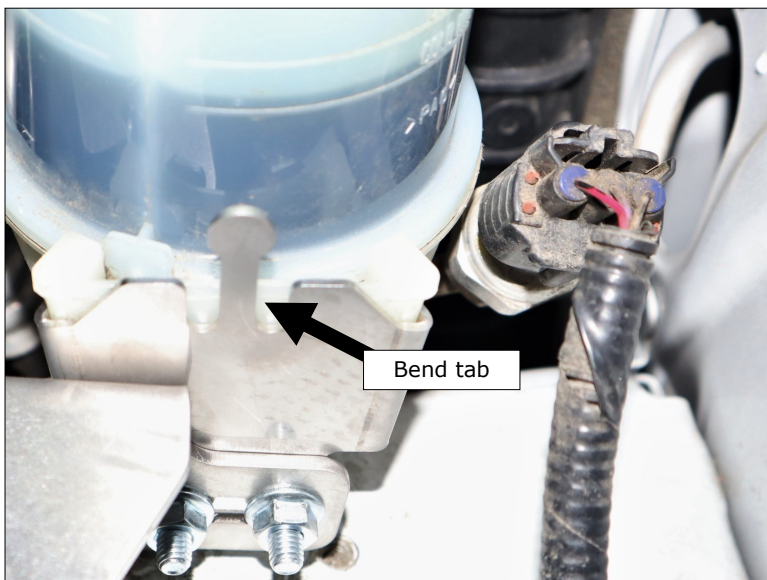
10 Move the compressor back and tighten the two socket head cap screws loosened in step 7.



Slide compressor back and retighten screws (Step 10)

11 Install the Power Steering Reservoir removed in step 2 to the Slee power steering reservoir relocation bracket.

Check for clearance around the AC sensor. Use a small pry bar or flat blade screw driver to bend the reservoir tab in and secure the reservoir.



Check Clearances and bend tab (Step 11)

12 Install the Washer Fluid Reservoir removed in step 3. Connect hose and plug.

13 Installation complete. Proceed to ARB compressor wiring.